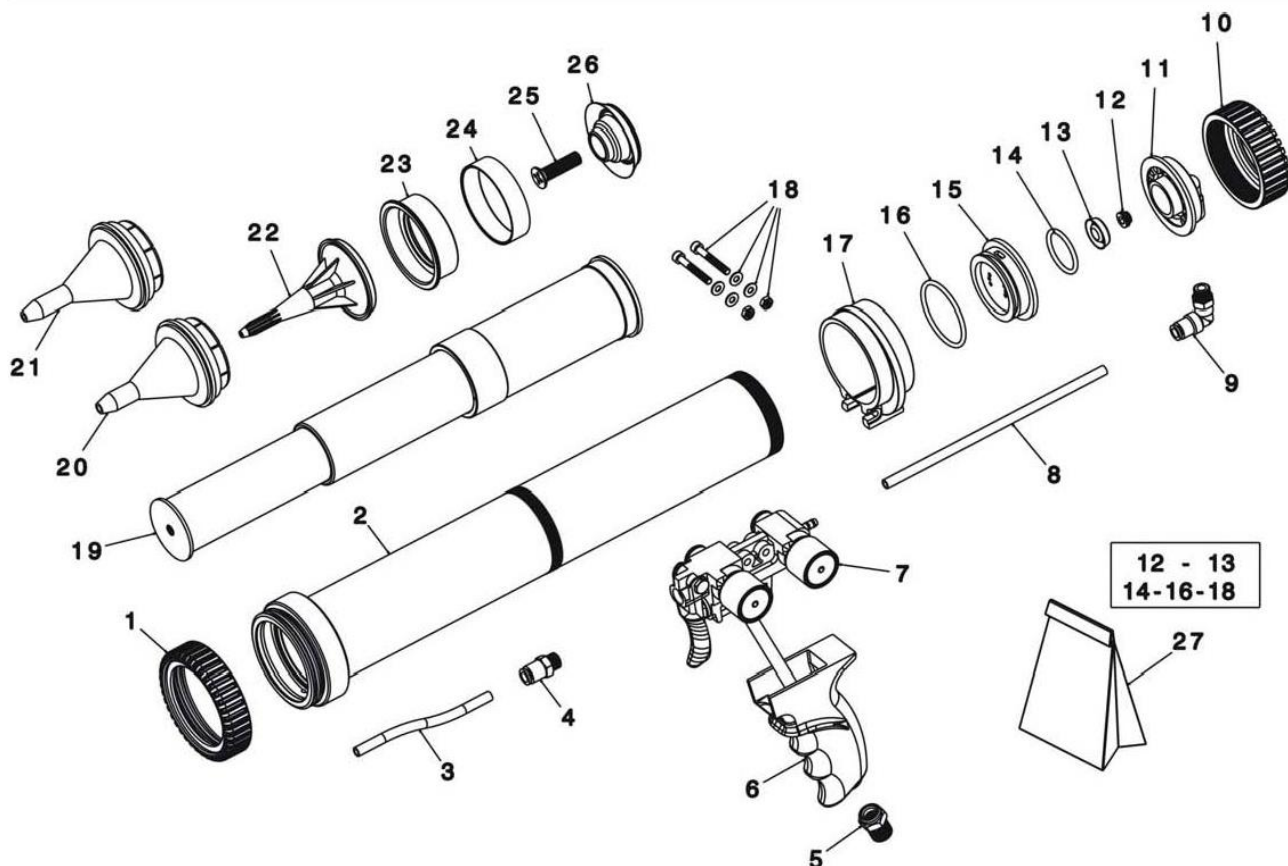


TECHNICAL DATA SHEET

1. IDENTIFICATION OF THE PRODUCT AND THE COMPANY

NAME OF THE PRODUCT	Pneumatic multipurpose spray gun for 310 ml cartridge
CODE	050068
DISTRIBUTOR	BOSSAUTO INNOVA, S.A.
ADDRESS	c/ Thomas Edison 16, Apartado de correos 95
CITY	08430 La Roca del Vallés (Barcelona) SPAIN
PHONE	+ 34 93 860 49 23
FAX	+34 93 871 23 36
E-MAIL	info@bossauto.com
WEB	www.bossauto.com

2. EXPLODED DIAGRAM



Pos.	Code	Quantity
1	BU098650	1
2	BH098582	1
3	BU098557	1
4	AH037102	1
5	BS088094	1
6	BE098492	1
7	BH098588	1
8	BU098556	1
9	AH037402	1
10	BU098349	1
11	BE098290	1
12	BH098332	1
13	BD098458	1
14	BD048193	1

Pos.	Code	Quantity
15	BE098291	1
16	BD098491	1
17	BE098436	1
18	BH098480	1
19	BH098541	1
20	BE098434	1
21	BE098465	1
22	BE098435	1
23	BU098636	1
24	BU098476	1
25	BF098555	1
26	BE098520	1
27	BH098547	1

3. TECHNICAL CHARACTERISTICS

Dimensions: (mm) 395 x 220 x 75 / (inches) 15,55 x 8,66 x 2,95

Net weight: (Kg) 1,263 / (lb) 2,784

Maximum working pressure: 8 bar / 116 psi

- For spraying and beading.
- With telescopic piston.
- The air is not in direct contact with the cartridge, which can therefore be in aluminium, plastic or cardboard.
- Spray pressure regulator.
- Cartridge and bag adaptor.

This revolutionary system allows the application of one-component sealants, silicons and fillers, in Standard cartridges for 310ml. and with the appropriate piston, bags up to 400ml. A patented system consisting of a telescopic piston pushes the product with perfect evenness and prevents the compressed air from coming into contact with the product. Fast air exhaust from the piston under pressure guarantees instant shutdown of product application the moment that the trigger is released. Operating pressure varying from 3 to 8 bar. Possibly of independent adjustment of product thrust and spray. No contact between product and gun parts so consequently no cleaning is necessary. The gun is self-cleaning at the end of every application by slowly releasing the control lever when the job is terminated.

Easy cartridge substitution for fast product change. Sealant cartridges and bags should be used with nozzles supplied with the products.

4. APPLICATION



5. ACCESSORIES



Cleanedge spray nozzle (net weight: 29 g)



UM single-component sealants (net weight: 9 g)

Raggededge spray nozzle (net weight: 25 g)



UL nozzle for different kinds of finishes and patterns (net weight: 6 g)



GC/S NEDDLE pilot (net weight: 124 g)

The technical information is in accordance with our experience. We assure the quality of the product. However, the conditions of use are not under our control and we cannot assume any responsibility of the obtained results.