

TECHNICAL DATA SHEET

1. IDENTIFICATION OF THE PRODUCT AND THE COMPANY

NAME OF THE PRODUCT	Pneumatic Tyne spray gun for 310 ml cartridges
CODE	050087
DISTRIBUTOR	BOSSAUTO INNOVA, S.A.
ADDRESS	c/ Thomas Edison 16, Apartado de correos 95
CITY	08430 La Roca del Vallés (Barcelona) SPAIN
PHONE	+ 34 93 860 49 23
FAX	+34 93 871 23 36
E-MAIL	info@bossauto.com
WEB	www.bossauto.com

2. DESCRIPTION

The new generation pneumatic TYNE spray gun for 310ml cartridge provides fast, effortless application of low to high viscosity sealants. Designed for industrial applications, pneumatic TYNE spray gun offers substantial productivity gains over manual applicators where compressed air is available.

It has been ergonomically tested for outstanding comfort and designed for ease of use making it the most comfortable and simplest pneumatically powered applicator in the world.

- Ergonomically designed
- Lightweight and easy to use
- Effortless application of sealants
- Precise control with the built-in regulator
- Inbuilt silencer for quiet operation
- Smooth consistent flow of sealants

3. TECHNICAL DATA

- Quiet but powerful: is ideal for environments where production line and refinishing operations take place. To aid productivity and improve operator comfort when used indoors, pneumatic TYNE spray gun is fitted with an inbuilt silencer which lowers the noise level of the applicator less than 70dB.

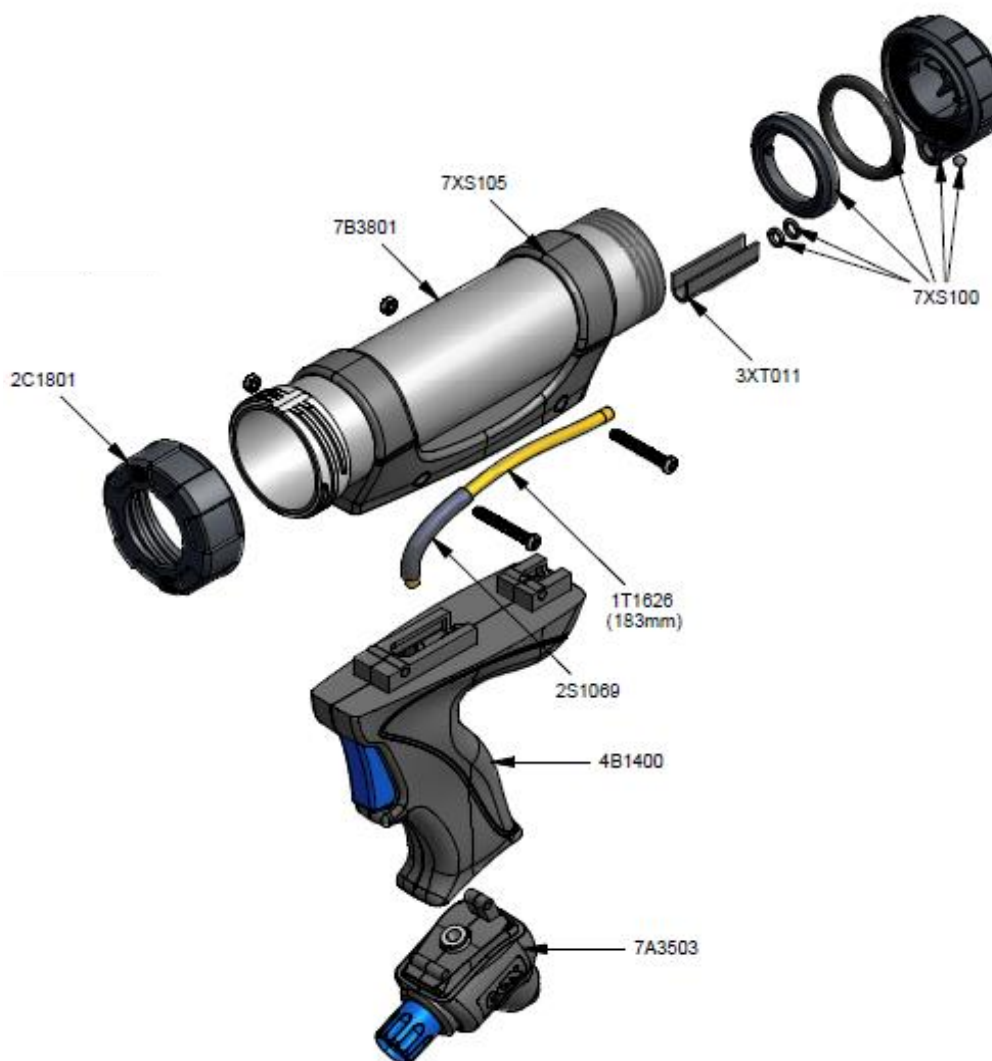
- Precise control: located conveniently on the front of the handle, the all new easy-to-use regulator provides operators with fingertip control of the airflow through the barrel. As a result, pneumatic TYNE spray gun can effortlessly dispense a wide range of low to heavy viscosity sealants contained in either cartridges, sachets or pouches.

- Ergonomically designed: Its new lightweight, lightly textured handle and well balanced barrel make pneumatic TYNE spray gun a pleasure to hold and use. This is of particular importance for operators who use the applicator above shoulder height or repeatedly during the day.

4. CARTRIDGE APPLICATOR

Direct action application. The back border of the cartridge seals firmly with the plastic washer staggered, so that the compressed air acts directly on the cartridge's piston. The short design and well-balanced, combined with a lightweight reinforced plastic and aluminium compounds, reduces user's fatigue.

5. EXPLODED DIAGRAM



Stock N°	Description	Quantity
1T1626	6mm Tube	1
2C1801	Cap Plastic 2 Start	1
2S1069	Tube Protector Spring	1

3XT011	Tube Cover	1
4B1400	Butt (Single Component)	1
7A3503	Regulator (100psi)	1
7B3801	Barrel 220.5mm	1
7XS100	Rear Cap Assembly (Cartridge)	1
7XS105	Barrel Strap Assembly (Including nuts 1 and screws)	1

The technical information is in accordance with our experience. We assure the quality of the product. However, the conditions of use are not under our control and we cannot assume any responsibility of the obtained results.