



Vacuum Gun

EG - 1006

Instruction Manual



Vacuum Gun

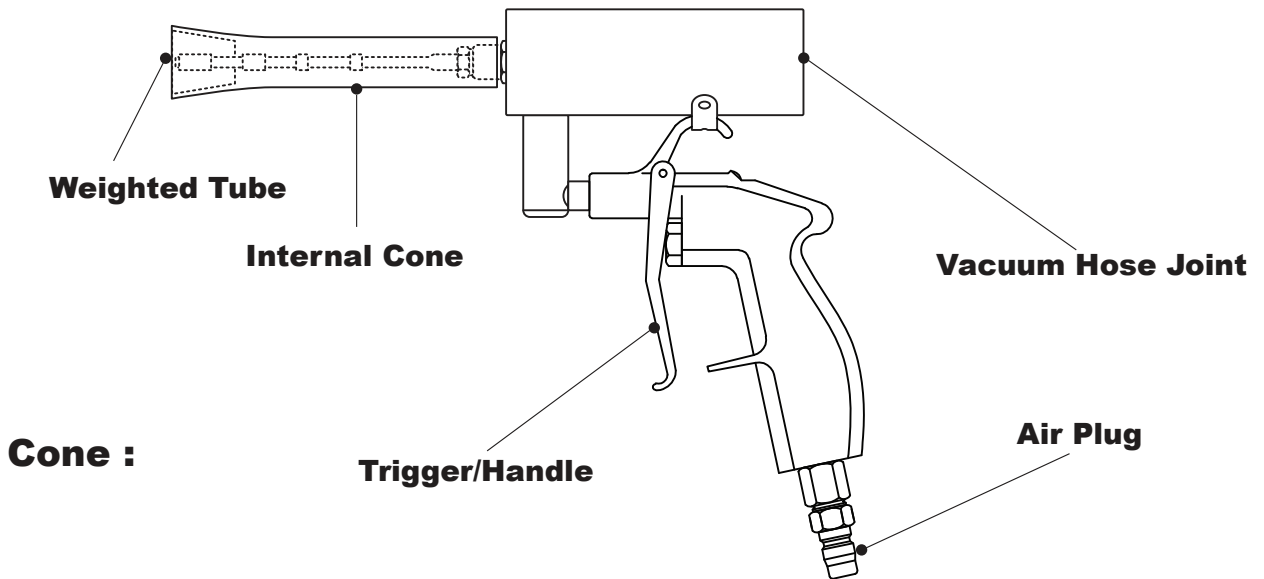
Instruction Manual

EG-1006

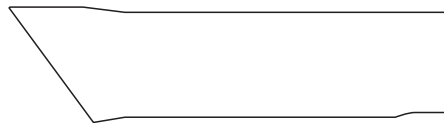
The Dust Collector Vacuum Gun is a blow & suction gun when connecting with wet/dry vac and air compressor. A reversal “Tornado-like” air flow breaks down stubborn dirt, then the vacuum sucks at the same time. The Dust Collector Vacuum Gun significantly reduces air dust particle flows during operation and increases vacuum efficiency & power up to 50%. The optimum air pressure operates between 85 and 95 psi.

Body :

PARTS



Cone :

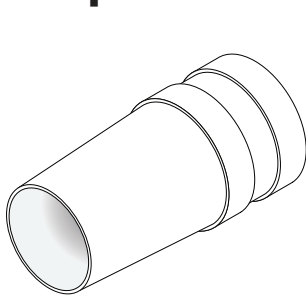


Standard Cone

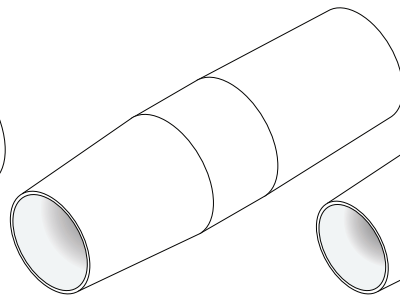


Cone with Brush

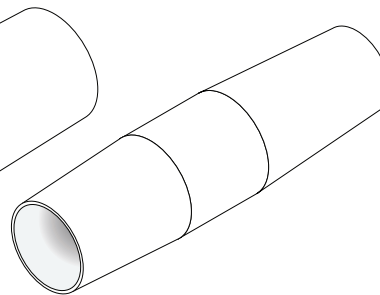
Adaptor Joints :



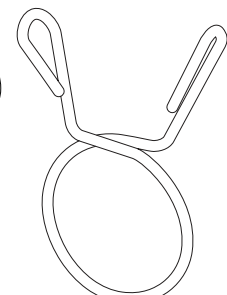
Adaptor Joint (L)



Adaptor Joint (M)



Adaptor Joint (S)



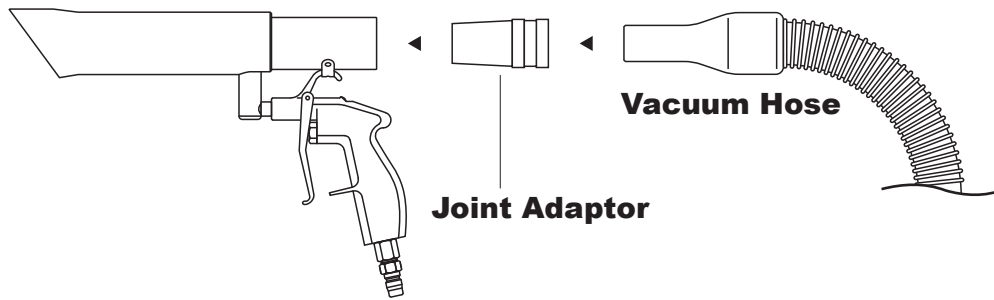
Snap

DIRECTION FOR USE (PREPARATION)

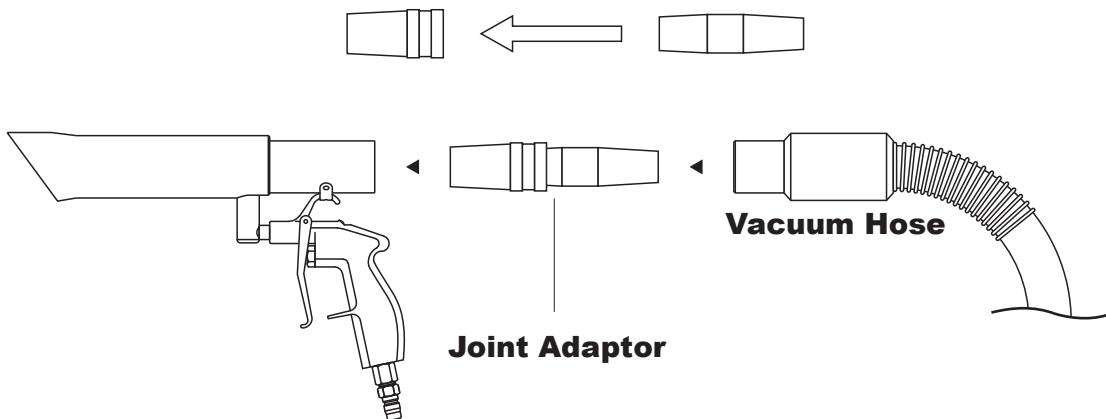
Connection of Vac Hose

If the neck finish of vac hose and vacuum gun hose is different, please use the joint adaptor to connect them together. (See figure below)

Situation 1: The connecting hose is too small



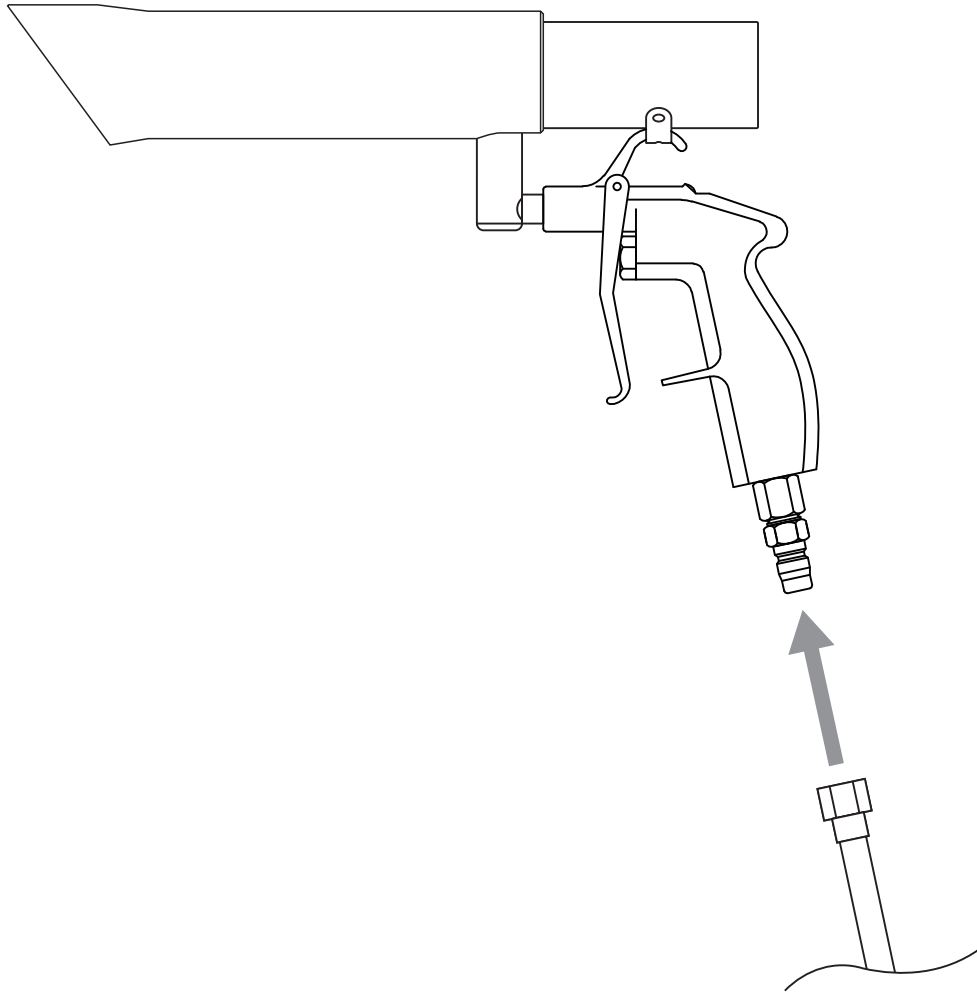
Situation 2: The connecting hose is too big



DIRECTION FOR USE (PREPARATION)

Connection of Air Compressed Air

Please turn off the air compressor while connecting the air compressor and air plug. Connect the air plug with air coupler firmly.



Warning

Please connect the air plug and air coupler firmly.

Failure to connect properly might cause the air leaking when in operation



Warning

Please turn off the air compressor while disconnecting the air plug.

DIRECTION FOR USE

First, Vacuum the dirt without using the tool trigger.

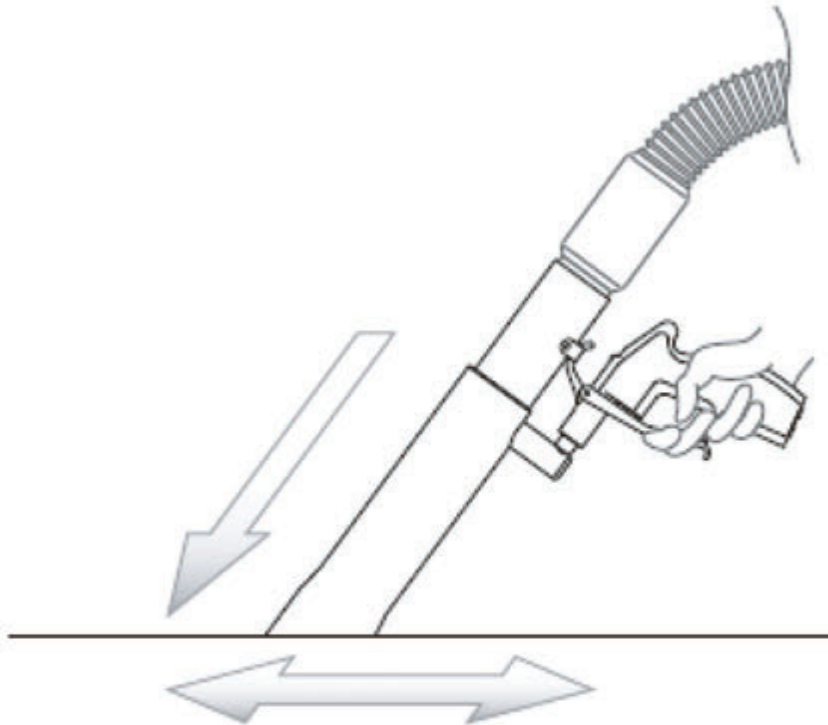


To achieve the best result, use the vacuum function **ONLY** to remove loose dirt and dust first, next pull the trigger to break down stubborn dirt and contaminants

Second, please hold the tool securely when in operation. (See figure below) Pull the trigger, then move back and forth **SLOWLY** to remove stubborn dirt and contaminants (NOTE: If you move the tool too fast, it won't penetrate stubborn dirt particles.)When finished working, store the tool in well-ventilated, dry place without direct sun light.



If applicable, wear safety goggle and respirator when in operation.

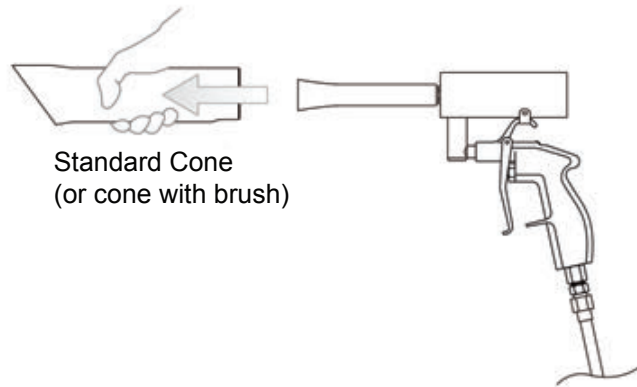


Warning

Wear safety goggle and respirator when in operation.
NEVER point the tool in the direction of human body, face or eyes.

MAINTENANCE METHODS

First, Detach the cone, clean the cone and joint adaptor.



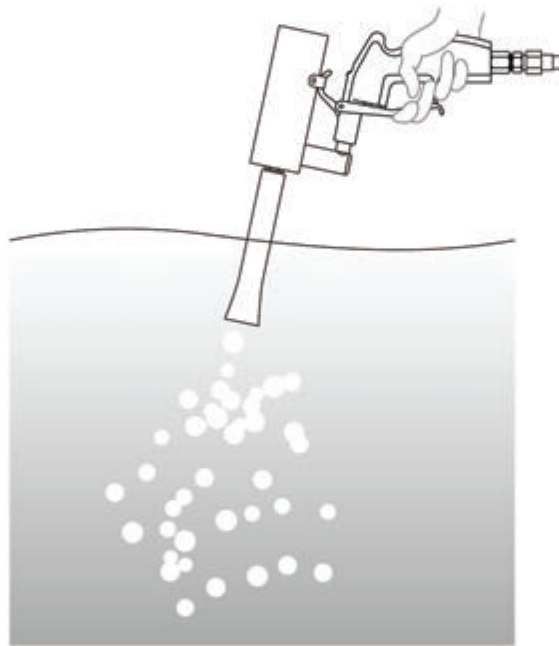
Second, put the internal cone into water tank, release the pressure by pulling trigger of the tool. The trapped dirt will be cleaned.



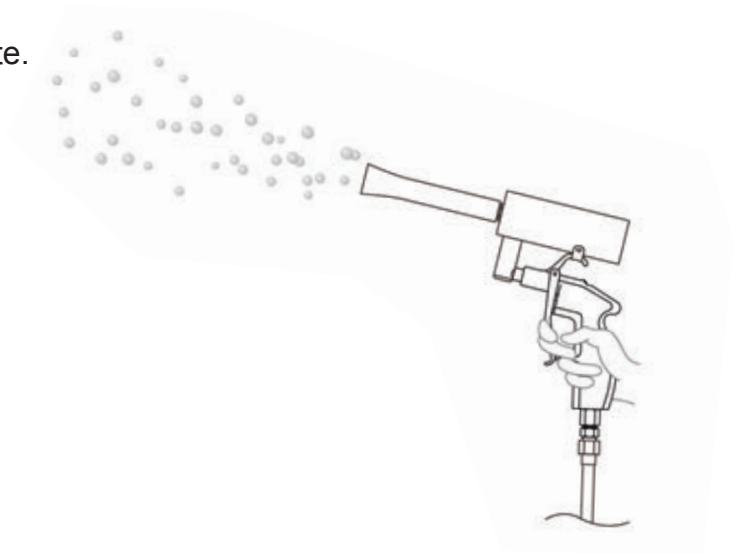
Stop the cleaning process once the dirt and contaminants are released.



Make sure to detach the vacuum from the tool.



Third, pull trigger on the tool for 1 minute. Store in well-ventilated, dry place without direct sun light.



IMPORTANT SAFETY INSTRUCTIONS

Read and observe the safety notes in the Instructions manual and the safety labels located on the device.

1. The air pressure must be set below 115 Psi.
2. Use only as described in this manual. Use only the manufacturer's recommended attachments.
3. DO NOT use to pick up flammable or combustible liquids, such as gasoline, or use in areas where they be present.
4. DO NOT use around explosive liquids or vapors
5. DO NOT pick up anything that is burning or smoking, such as cigarettes, matches, or hot ashes.
6. DO NOT pick up the objects:
 - Bigger than 5mm
 - Sticky items, such as tape, seal.
 - Objects with thread, such as a thin string of cotton, wool, silk
7. Use ONLY with neutral liquid. Specially note that organic solvent even in neutral feature cannot be used, because it contains enormous factors which might cause deterioration.
8. DO NOT use the tool if you are not working.
9. DO NOT operate the extractor gun unless all parts are properly installed.
10. If the consumable parts of this tool are damaged, they MUST be replaced only by genuine replacement parts.

 **Warning**

Please use extractor gun with WET/DRY VAC only. Use regular dry vac might cause damages to the device, and vac.

SAFETY AND OPERATION RULES

Safety precautions are essential when any mechanical equipment is involved. These precautions are necessary when using, storing, and servicing mechanical equipment. Using this equipment with the respect and caution demanded will considerably lessen the possibilities of personal injury. If safety precautions are overlooked or ignored, personal injury or property damage may occur. The following symbols shown below are used extensively throughout this manual.



Warning

Identifies specific instructions or procedures which if not correctly followed could result in personal injury or death.



Caution

Identifies specific instructions or procedures which, if not strictly observed, could result in damage to, or destruction of equipment and/or property.



Notice

Provides information on particular characteristics and how to operate properly.

SPECIFICATION

Model No.	EG-1006
Dimension (mm)	W50 D205 H260
Weight (kg)	0.48
Air Pressure (Psi)	75~115
Air Consumption (L/min)	190 @72Psi
Working Temperature (° C)	10~50
Air Inlet	1/4"



NANOSKIN CAR CARE PRODUCTS

Division of Total Import Solutions, Inc.
La Habra, CA 90631
Engineered in Japan
Designed in USA
Made in PRC
www.nanoskinusa.com

For Chemical Emergency: PERS – Day or Night
NORTH AMERICA : 1-800-633-8253
INTERNATIONAL : 1-801-629-0667