

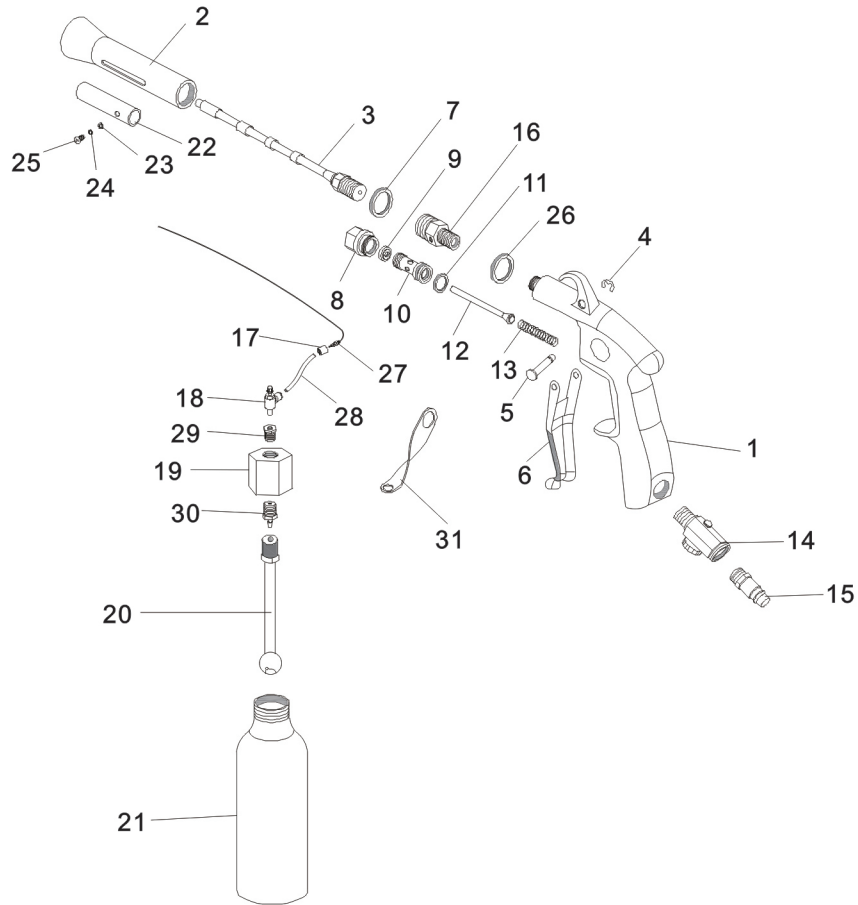


# High Gloss Dressing Gun

EG - 1004

## Instruction Manual





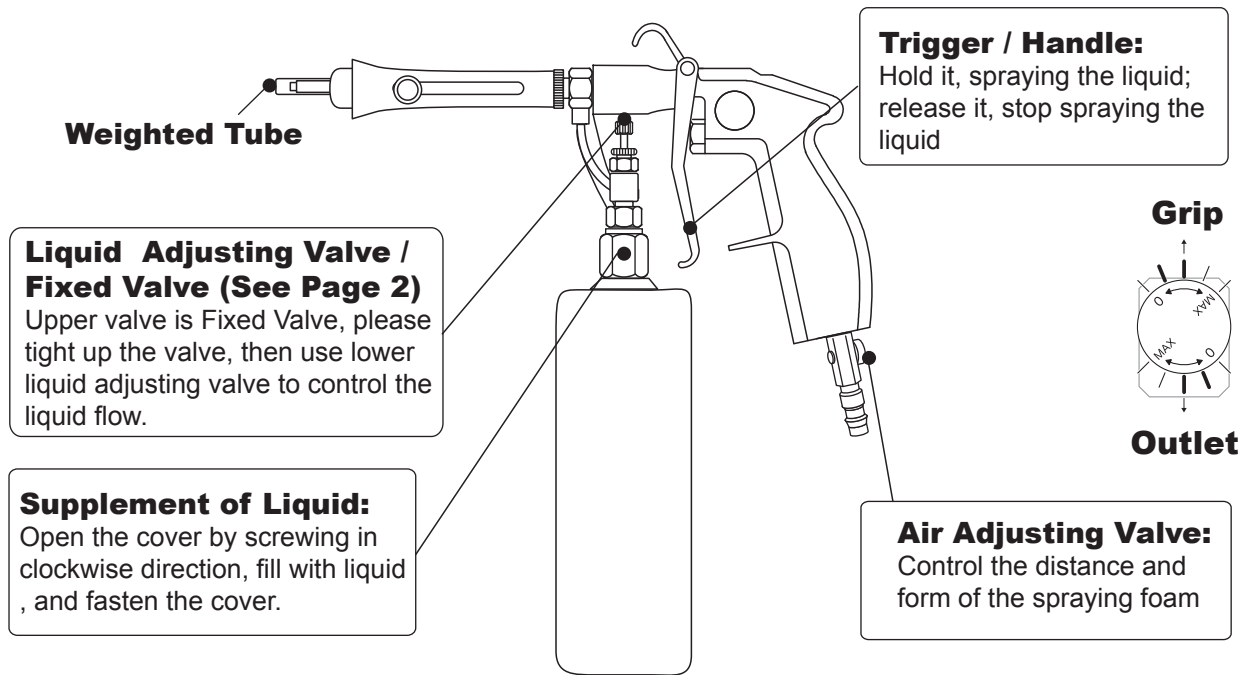
Ref. No.	Part No.	Description	Q' ty /Tool	Ref. No.	Part No.	Description	Q' ty /Tool
1	EG1004001	Housing	1	21	EG1004021	Bottle	1
2	EG1004002	Nozzle	1	22	EG1004022		1
3	EG1004003	Weighted Tube Ass' y	1	23	EG1004023	Gasket	1
4	EG1004004	Screw	1	24	EG1004024	Gasket	1
5	EG1004005	Pin	1	25	EG1004025	Screw	1
6	EG1004006	Trigger	1	26	EG1004026	Gasket	1
7	EG1004007	Gasket	1	27	EG1004027		1
8	EG1004008	Screw	1	28	EG1004028	Hose	1
9	EG1004009	O-Ring2x1	1	29	EG1004029		1
10	EG1004010	Bushing	1	30	EG1004030		1
11	EG1004011	Gasket	1	31	EG1004031		1
12	EG1004012	Valve Stem	1				
13	EG1004013	Spring	1				
14	EG1004014	Air Inlet (1/4"PF)	1				
15	EG1004015	Air Inlet	1				
16	EG1004016	Screw	1				
17	EG1004017	Hose	1				
18	EG1004018		1				
19	EG1004019	Screw	1				
20	EG1004020	Tube Ass' y	1				

# High Gloss Dressing Gun

# Instruction Manual

## EG - 1004

Cleans carpets, plastics, and upholstery interior. Blast cleaning solution into crevices unable to reach by hand. Low moisture, atomizes cleaner and detergent into 1~10 $\mu$ m. Please use the micro-particle cleaning gun in the safe, and secure environment. Read the direction for use carefully, before you use the cleaning gun.



### Method of Liquid Adjusting Valve / Fixed Valve

Fixed Valve screw allows to adjust the air flow. Once the Air pressure is fixed, please tighten up the fixed valve.



### Liquid Adjusting Valve

The tighter the liquid adjusting valve screw, the thinner and smaller the spray volume is; the looser the liquid adjusting valve screw, the thicker and larger the spray volume is.

### **Warning**

- The pressure must be set between 0.5 to 0.8MPa; higher pressure (>0.8MPa) may cause damage to the equipment and dangerous event.
- Use ONLY neutral liquid.
- Specially note that organic solvent even in neutral feature cannot be used, because it contains enormous factors might cause deterioration

# Maintenance Methods / Tips

Cleaning after use. Use water or other specialized chemical solution to clean the spray tube, cone, and bottle. Preserve it at ventilated and dry place without direct sun irradiation.

 **Notice**

If the device is not cleaned after use, the solution will resort in the device, and dust and bacteria will remain, which will seriously corrode the device and greatly reduce the use life of the device.

**1.**



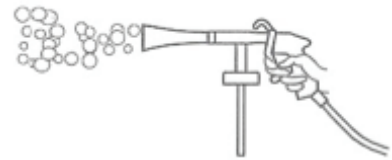
**First,** put clean water or specialized solutions into tank. Put the tube into tank, and release pressure by triggering the gun for 1~2 minutes

**2.**



**Next,** put the cone part into the tank, and release pressure by triggering the gun for 1 minute. (Note: Special acting requires for individual tools, please refer to the instruction for us for each tools)

**3.**



**Third,** triggering the gun in the air for 1 to 2 minutes. Preserve it at ventilated and dry place without direct sun irradiation.

- Weighted tube, cone, and other accessories are consumables. The use life of the those consumables may vary from the frequency of use, and user's habits.
- NEVER point the cleaning guns in the direct of human body, face, and eyes. Wear safety goggle and respirator during the operation.
- TISI shall not be responsible for device damage caused by application of unoriginal accessories and special consumables, or your own repair, parts replacement, and disassembly of the device. In such case, even the device is still under limited warranty, such repair shall not be provided for free.
- In case of any abnormality or damage of the equipment during the use process, please terminate the operation immediately.

## SPECIFICATION

<b>Model No.</b>	EG-1004
<b>Dimension (mm)</b>	W110 D230 H235
<b>Weight (kg)</b>	0.5
<b>Air Pressure (Psi)</b>	75~115
<b>Container (ml)</b>	250
<b>Detergent</b>	Neutral
<b>Max. Spraying Volume (ml/min)</b>	18
<b>Working Temperature ( ° C)</b>	10~50
<b>Air Inlet</b>	1/4"



**NANOSKIN CAR CARE PRODUCTS**  
 Division of Total Import Solutions, Inc.  
 La Habra, CA 90631  
 Engineered in Japan  
 Designed in USA  
 Made in PRC  
[www.nanoskinusa.com](http://www.nanoskinusa.com)

**For Chemical Emergency: PERS – Day or Night**  
**NORTH AMERICA : 1-800-633-8253**  
**INTERNATIONAL : 1-801-629-0667**