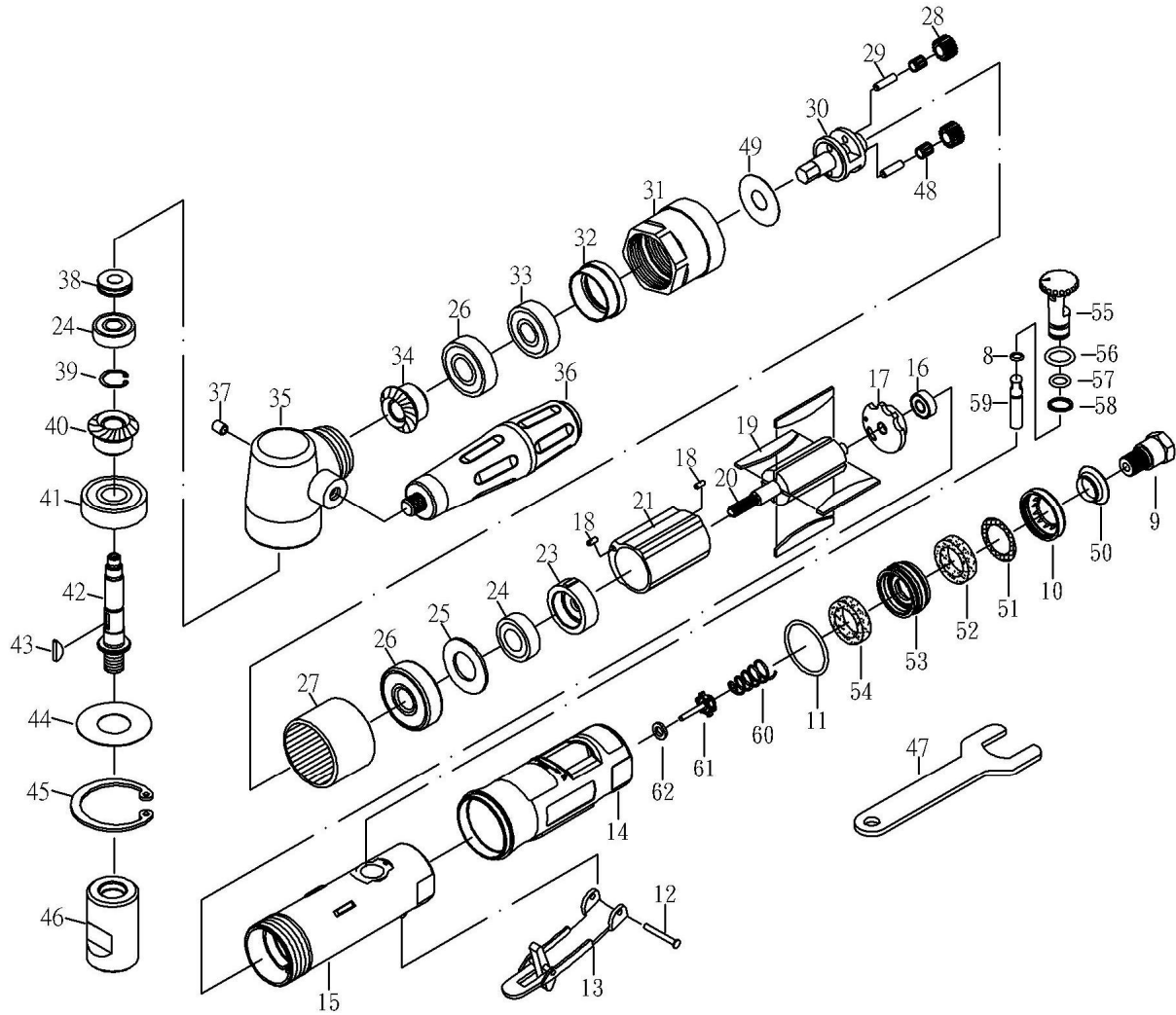


# ANGLE SANDER / POLISHER



NO	PART NO	DESCRIPTION	Q'TY	NO	PARTS NO	DESCRIPTION	Q'TY
08	OB-04	O-RING (3.5*1.4)	1	36	BT80438-12.5	HANDLE	1
09	ST200A09	AIR INLET	1	37	21029	OIL CUP	1
10	ST20010	EXHAUST SLEEVE	1	38	ST165041	BEARING (5*15*4)	1
11	70011	O-RING (26.7*1.78)	1	39	ST288336A	SNAP RING	1
12	12012,1	SPRING PIN (3*24)	1	40	ST22735	BEVEL GEAR (21T)	1
13	ST80509	LEVER	1	41	24531A	BEARING (6200ZZ)	1
14	ST200A14	PROTECTING RUBBER	1	42	ST22743	SHAFT	1
15	ST200A15	HOUSING	1	43	ST21033	KEY	1
16	20312	BEARING (696ZZ)	1	44	ST22745A	WASHER	1
17	ST70017	REAR PLATE	1	45	ST22746	RETAINER RING	1
18	70018	PIN (2.5*6)	2	46	ST165049	SHAFT	1
19	20019	ROTOR BLADE	4	47	BT21038-14	STOP SPANNER	1
20	ST165021	ROTOR (9T)	1	48	ST165052	NEEDLE BEARING	2
21	ST70021	CYLINDER	1	49	70029-1	WASHER	1
23	ST70023	FRONT PLATE	1	50	ST20036	MUFFLER BODY	1
24	21024	BEARING (608ZZ)	2	51	ST20037	STAINLESS MESH	1
25	50310	WASHER	1	52	ST20035	SILENCER	1
26	OB-31	BEARING (6001ZZ)	2	53	ST20034	MUFFLER	1
27	ST165028	THREAD RING GEAR (41T)	1	54	ST20035A	SILENCER	1
28	ST165029	IDLER GEAR (16T)	2	55	ST200A37	REGULATOR	1
29	70028	IDLER GEAR PIN	2	56	OB-02	O-RING (P10)	1
30	70029	IDLER GEAR PLATE	1	57	ST288303	O-RING (P9)	1
31	ST165032	CLAMP NUT	1	58	OB-30	SNAP RING	1
32	22531	BEARING BUSHING	1	59	ST200A33	VALVE STEM	1
33	70048A	BEARING (6000ZZ)	1	60	ST200A43	SPRING	1
34	ST22741	BEVEL GEAR (22T)	1	61	ST200A44	VALVE	1
35	ST22736	ANGLE HOUSING	1	62	ST200A45	WASHER	1

WE RESERVE THE RIGHT FOR ANY DESIGNING CHANGES TO THE PARTS AND WITHOUT ANY NOTICEMENT IN ADVANCE.

LA-227 2011 07 ( 2 )