

# TECHNICAL DATA SHEET

## 1. IDENTIFICATION OF THE PRODUCT

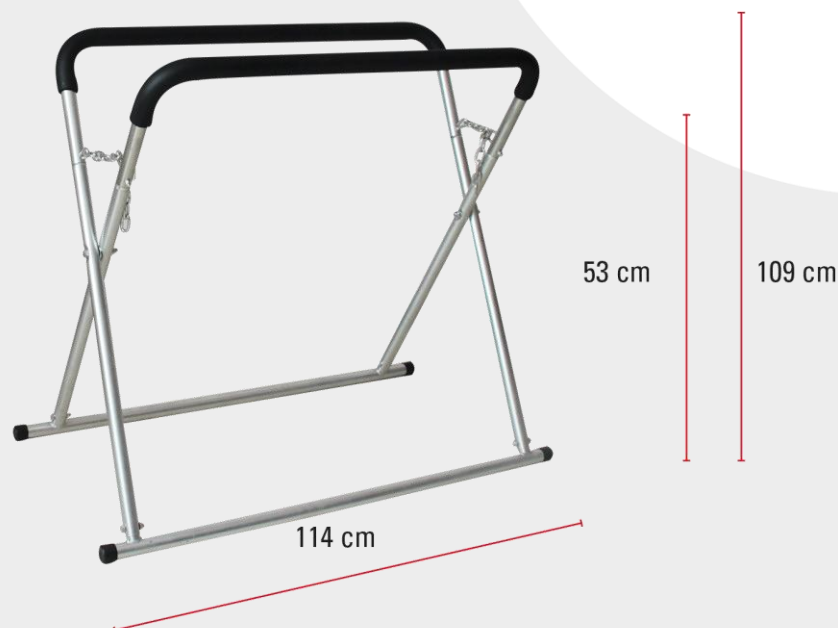
<b>NAME OF THE PRODUCT</b>	Reinforced universal folding trestle
<b>CODE</b>	050004

## 2. DESCRIPTION

PU foam, heavy duty portable work stand. Great for doors, fenders, hoods and bumpers.

## 3. MEASURES

<b>Material</b>	Steel with galvanized
<b>Foldable size</b>	1040 x 1120 mm
<b>Range of height</b>	530 - 1090 mm
<b>Inner/Outer top frame tube length</b>	97 - 104 cm
<b>Leg tube length</b>	85 + 7 cm
<b>Bottom tube length</b>	114 cm
<b>Tubing size</b>	32 x 1,2 mm (DIA.xt)
<b>Max. load capacity</b>	272,155 kg
<b>1 / 2 "PU foam will cover whole arm</b>	



The technical information is in accordance with our experience. We assure the quality of the product. However, the conditions of use are not under our control and we cannot assume any responsibility of the obtained results.