

TECHNICAL DATA SHEET

1. IDENTIFICATION OF THE PRODUCT

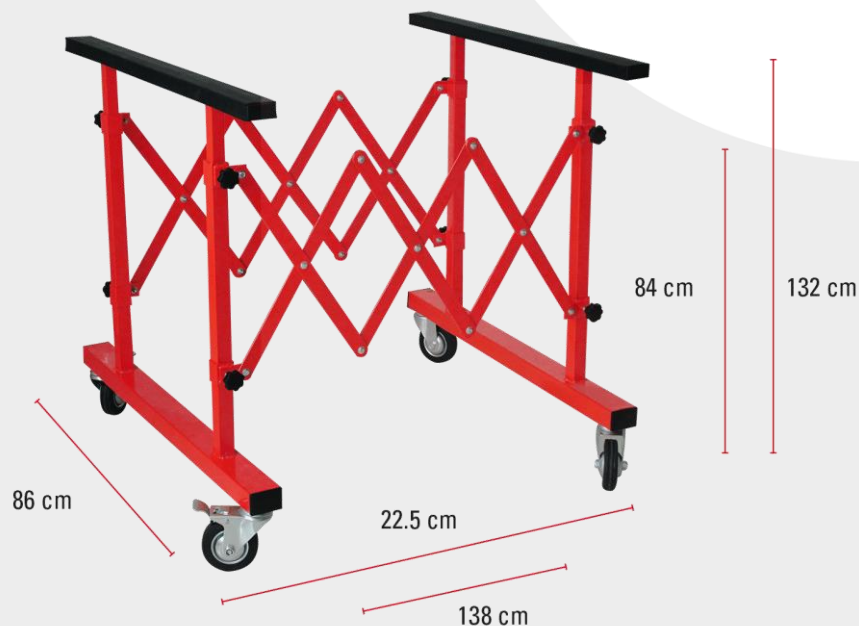
NAME OF THE PRODUCT	Extendable mobile trestle
CODE	050005

2. DESCRIPTION

Telescopic universal stand. Stable structure with telescopic spring. Rubber cover to protect surface. The length is adjustable as need. Double side support.

3. MEASURES

Material	Steel with powder coated
Color	Red
Max. capacity	100 kg
Min/Max height	84 cm - 132 cm
Min/Max length	22.5 cm - 138 cm
Width	86 cm
Castors (two wheels with brake)	10.6 x 10.6 cm



The technical information is in accordance with our experience. We assure the quality of the product. However, the conditions of use are not under our control and we cannot assume any responsibility of the obtained results.